



Analogue Tower Clocks



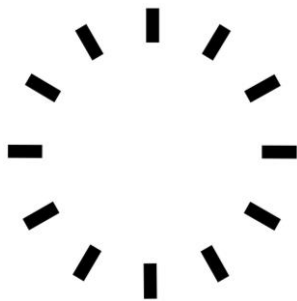
E301 B

## General

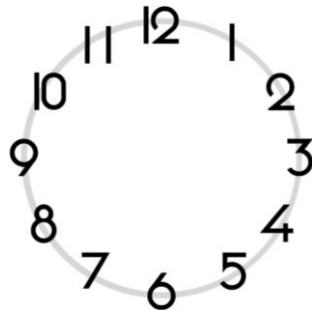
Tower clocks for schools, public buildings, advertising walls and similar with unprotected hands and powerful heavy duty movement for good accuracy. A complete tower clock consists of movement, hands and characters.

## Dial face characters

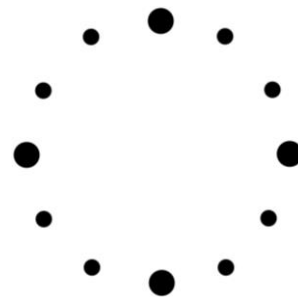
The dial can be made up to a diameter of Ø4000 mm and consists of 12 hour marks, numbers or dots made of black or white lacquered aluminum. Other character designs, colors and materials can be offered on request. The hour marks and dots are mounted directly on the facade with spacer tubes. The numbers are delivered on a ring with as standard as it facilitates mounting. The ring can be painted in the same color as the facade. As an option, the hour marks and dots can also be mounted on a ring.



Hour marks



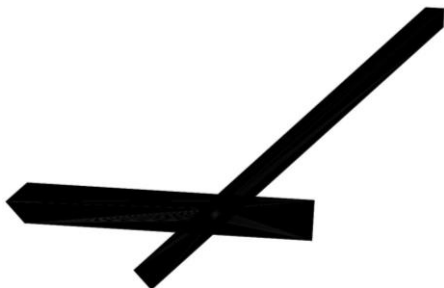
Numbers



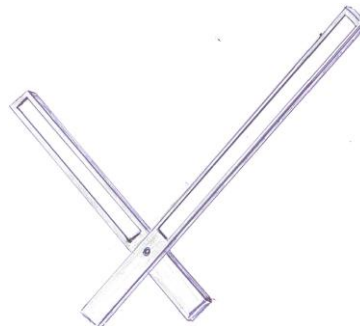
Dots

## Hands

The hands are manufactured as standard in a straight model in the same material and color as the dial face characters. The hands need to be balanced, a "tail" at the back of the hands is therefore required. Other design, colors and materials can be offered on request. Hour and minute hands are equipped with self-lubricating bearings and require minimal service. We can also offer characters and hands with built-in LED illumination. The Illumination requires the use of the GMV-Neon movement.



Without illumination

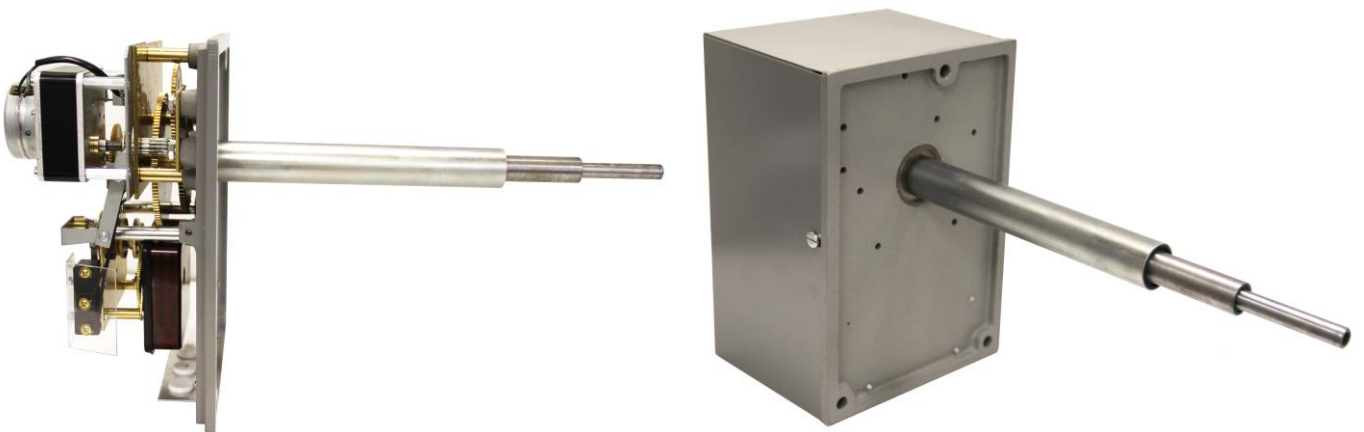


Illuminated hands

## Heavy duty Movement

The heavy duty movement is normally mounted on the inside of the wall but is also available in a version for recessed mounting from the front for cases where mounting on the inside is inappropriate. The shaft length is available in some fixed lengths but is normally adjusted to the wall thickness. To be stated when ordering. The movement is connected to 230 VAC and is synchronized from Westerstrand's Master clock via 24 VDC alternating minute impulse. The minute pulse starts the motor, which via a gear moves forward the hands for one minute. In the event of a power failure, the clock is stopped, but the movement stores incoming pulses and is automatically corrected when the power returns. The engine should be lubricated at least once a year. Movement assembled in particularly demanding environments may require more frequent lubrication intervals. Service contract can be signed.

Heavy duty movement **LMV** is a small smooth movement that can drive large hands. The movement can operate unprotected hands to a dial diameter up to 2000 mm. Movement **GMV** is a powerful movement that can be used for dials up to 4000mm. **GMV-NEON** is used if the hands are illuminated. The engine has slip rings that transmit power to the lighting in the hands.



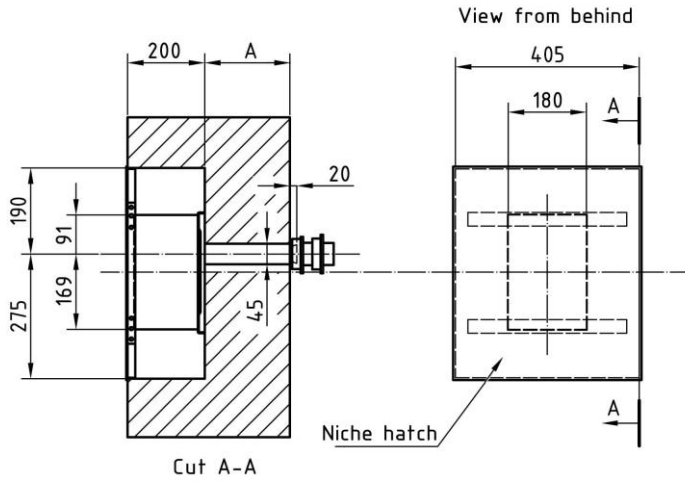
Heavy duty movement LMV

Article number	Type	Mounting	Dimension A	Sketch
115000-00	LMV-50F	Recessed in facade from the outside	-	3
115006-00	LMV-X	Recessed in facade	Specified by customer	1
115006-00	LMV-X	Inside of wall	Specified by customer	2
115014-00	LMV-UV	1 outgoing shaft for connection to existing shaft	-	-

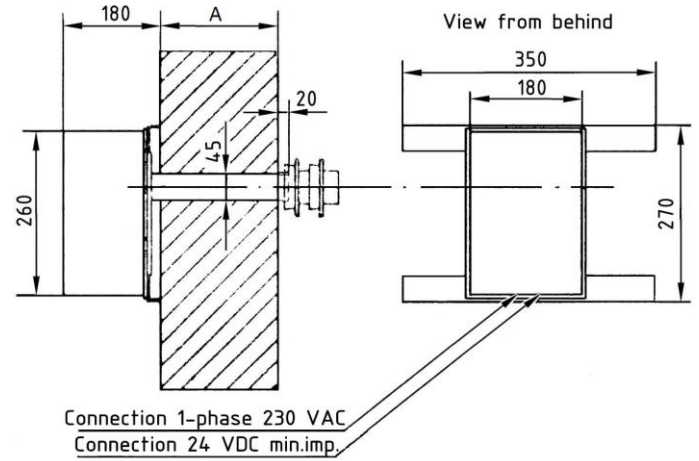
## Sketch for movement LMV

Recommended borehole for shaft:  $\varnothing 50$  mm

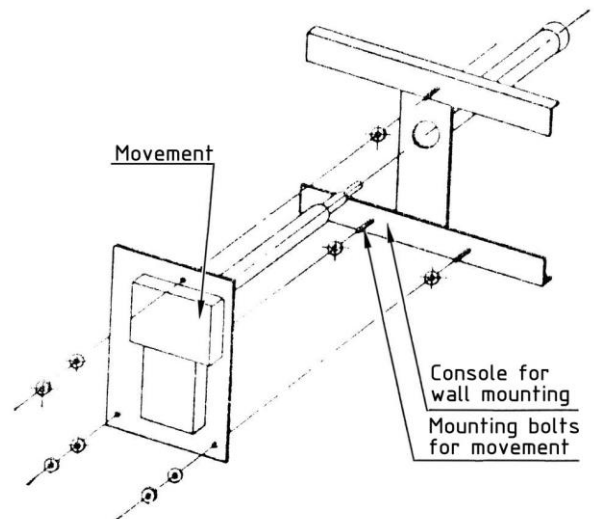
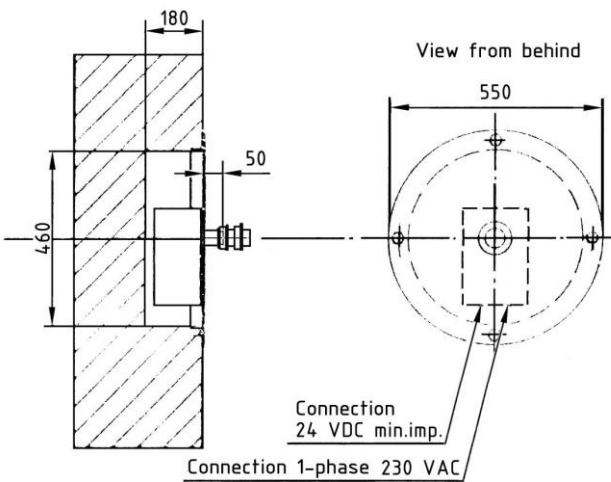
1) Recessed in facade  
Possible with niche hatch



2) Inside of wall



3) Recessed in facade from the outside



We reserve the right to make changes at any time.